

Veritas Flex 5150 Appliance

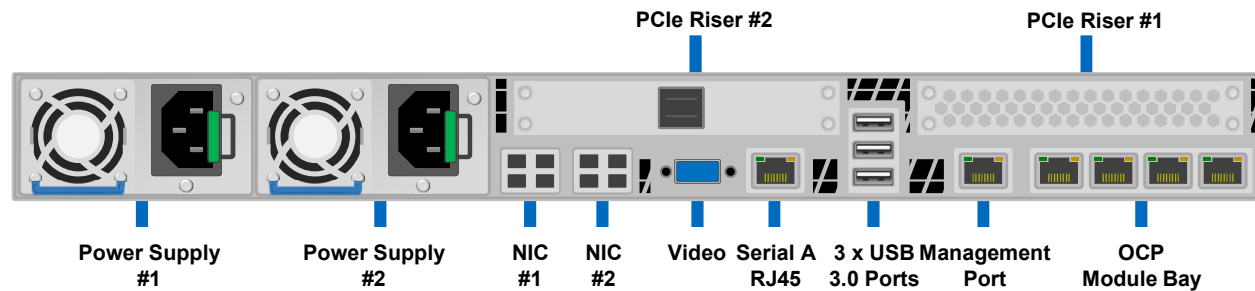
Quick Reference Card – Hardware

Flex 5150 Appliance Rear Panel

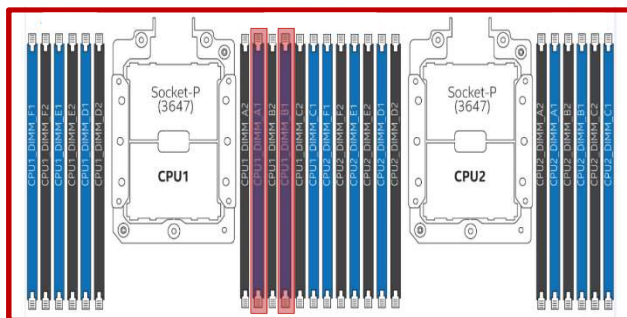


Flex 5150 Base Specifications

- 19-inch, 1U rack-mount server
- 1 x 1.7GHz 3106 8 core 11MB cache processor
- 2 x DDR4 32GB DIMM 64GB RAM – Base
- 1 x 1 Gbps IPMI Management port
- 4 x 8TB 3.5" SAS-3 7200 RPM HDDs (RAID 10)
- 2 x 480GB M.2 SSD Boot (RAID 1)
- 1 x 32GB M.2 SATA SSD Certificates
- 2 x 1100W power supply
- 3 x USB 3.0 Port Ports
- 8 Port SAS3 HBA (SAS HDDs and Tape Out)
- 4 Port OCP 1GbE copper (Models A - D)
- 2 x 4 Port 1GbE copper (Model B)
- 2 Port 10GbE NIC (Model C)
- 2 Port 10/25GbE (Model D)
- Voltage: 110 – 240V AC
- Weight: 31 lbs (14.1 kg)



Flex 5150 Appliance 32GB DDR4 Memory DIMM Population

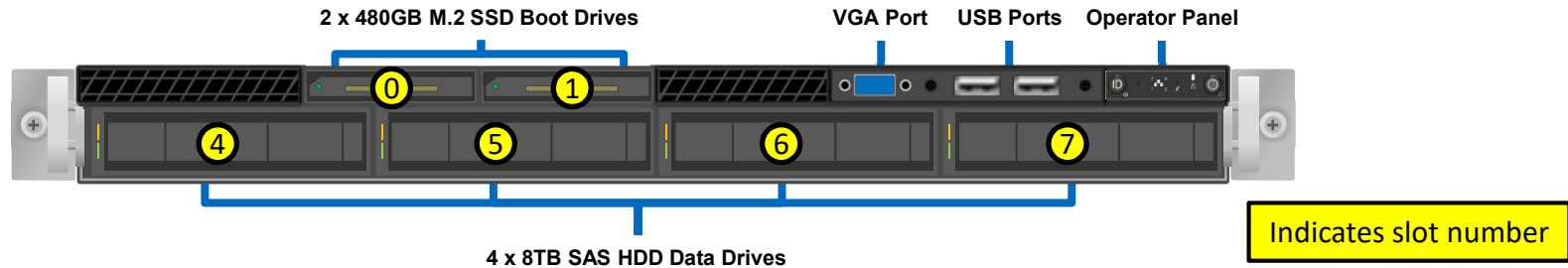


		CPU 1										CPU 2												
Slot ID	DIMM F1	DIMM F2	DIMM E1	DIMM E2	DIMM D1	DIMM D2	DIMM A2	DIMM A1	DIMM B2	DIMM B1	DIMM C2	DIMM C1	DIMM F1	DIMM F2	DIMM E1	DIMM E2	DIMM D1	DIMM D2	DIMM A2	DIMM A1	DIMM B2	DIMM B1	DIMM C2	DIMM C1
64 GB	Empty	Empty	Empty	Empty	Empty	Empty	Empty	32GB	Empty	32GB	Empty	Empty	Empty	Empty	Empty	Empty	Empty	Empty	Empty	Empty	Empty	Empty	Empty	Empty

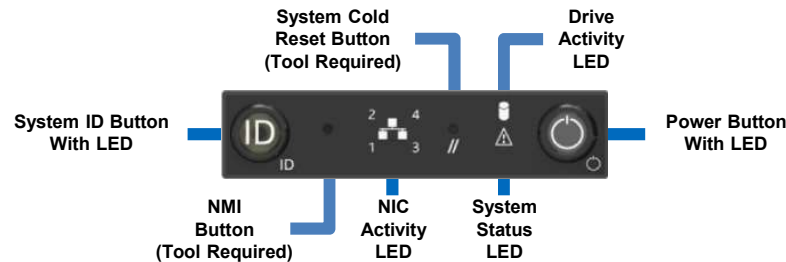
Veritas Flex 5150 Appliance

Quick Reference Card – Hardware

Flex 5150 Appliance Front Control Panel LEDs and Buttons



Flex 5150 Front Panel



System ID Button with integrated LED	The button toggles the blue LED to stay solid ON or off. The LED can also be blinked remotely through IPMI, the LED will blink for 15 seconds at a time when triggered through IPMI.
NMI Button	The button puts the system in halt and issues a Non-Maskable Interrupt. It can only be accessed with a small sharp object, i.e. pin or paperclip.
System Cold Reset Button	The button forces the system to reboot immediately without shutting down gracefully. It can only be accessed with a small sharp object, i.e. pin or paperclip.
NIC Activity LED	There is one LED for each of the 1Gb RJ45 port on the Quad Gigabit Ethernet OCP Module. The LED stays solid green when a link is detected, and blinks at the rate directly related to the amount of traffic on the link.
Drive Activity LED	<p>OFF = System is not operating – AC power is off, System is in EuP Lot6 off mode, System is in S5 soft-off state.</p> <p>Solid Green = System is operating normally – System is running and healthy.</p> <p>Blinking Green = System is degraded – Redundancy loss or fan warning or non-critical threshold crossed – Power supply predictive failure – unable to use all of the installed memory – Correctable memory errors – Battery failure.</p> <p>Blinking Amber = System in a degraded state – Critical threshold crossed for voltage or temperature – Minimum number of operable fans.</p> <p>Solid Amber = Critical or non-recoverable error / system is halted or shutdown – CPU error, Power fault, DIMM failure, Thermal error, Processor error, Uncorrectable memory error.</p>
Drive Activity LED	<p>Random blinking green light indicates HDD activity (SAS or SATA).</p> <p>No light indicates no HDD activity.</p>
Power Button with integrated LED	<p>OFF = System power is off and the BIOS has not initialized in the chipset.</p> <p>ON = System power is on.</p>