

NetBackup 5230 Appliance

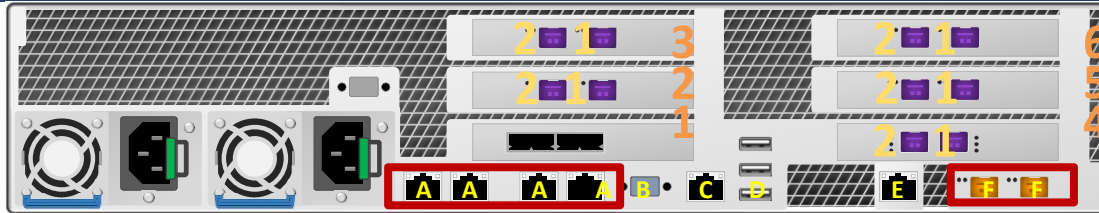
Quick Reference Card – Hardware



Veritas Support Services

Last Updated – 11.01.2019

NetBackup 5230 Appliance Rear View – Components and Connections



| Port | Description | Purpose |
|------|-----------------|---------------------------------|
| A | 4X1Gb Ethernet | Left to Right: eth0 – eth3 |
| B | VGA | DB-15 Port to connect a Monitor |
| C | Serial Port | Reserved |
| D | 3XUSB Ports | USB 2.0 Ports |
| E | IPMI 1Gb | RMM4 for IPMI |
| F | 2X10Gb Ethernet | 10Gb Ethernet (eth4 and eth5) |

5230 Base Specifications

- 19-inch, 2U rack-mount server
- Dual Intel Xeon 2.0GHz E5-2620 processors (6 Cores per CPU)
- 64 or 128GB RAM
- Onboard Intel RS25SB008 RAID Controller
- Embedded 4 x 1 Gbps Ethernet ports
- Embedded 2 x 10Gb Ethernet ports
- Max Power 750 Watts
- 7 Amps @ 100-127V
- 3.5 Amps @ 200-240V
- Typical Cooling 1,416 BTU/hour
- Max Cooling 2,562 BTU/hour
- 10 x 1TB SAS Disk Drives
- 2 x 1TB for OS Partition (RAID 1)
- 7 x 1TB for Data Partition (RAID 6 - 4TB formatted storage)
- 1 x 1TB Used for Hot-spare

Optional Dual Port SAS RAID Controller (Slot 1)
Optional QLogic QLE-2562 FC HBA (Slots 2-6)

| Series | Slot 1 | Slot 2 | Slot 3 | Slot 4 | Slot 5 | Slot 6 |
|--------------------------------------|---------------------------------------|-----------------------|----------------|---------------|---------------|---------------|
| 5230 A – Base + Storage Expansion | SAS RAID Controller | EMPTY | EMPTY | EMPTY | EMPTY | EMPTY |
| 5230 B – Standard+ Storage Expansion | SAS RAID Controller | EMPTY | EMPTY | 2X8G FC HBA * | EMPTY | EMPTY |
| 5230 C – Enhanced+ Storage Expansion | SAS RAID Controller | EMPTY | 2X10GB Opt Eth | 2X8G FC HBA * | EMPTY | EMPTY |
| 5230 D – Maximum+ Storage Expansion | SAS RAID Controller | 2X8G FC HBA * | 2X10GB Opt Eth | 2X8G FC HBA * | 2X8G FC HBA * | 2X8G FC HBA * |
| 5230 E – FTMS+ Storage Expansion | SAS RAID Controller | 2X8G FC HBA * | 2X8G FC HBA * | 2X8G FC HBA * | 2X8G FC HBA * | 2X8G FC HBA * |
| | FT SAN Client | Optimized Duplication | FTMS | Tape Out | VMware | |
| * | | YES | NO | YES | YES | |
| ** | Yes (Port 1 Target, Port 2 Initiator) | N/A | YES | N/A | N/A | |

- By default all HBA Fibre Channel ports are configured as Initiator unless configured as a FTMS for Models D and E.
- SFP Modules available for the Appliance in a multimode “Short Range” version. Works well with OM3 50/125 multimode fiber optic cables that are compliant with ISO/IEC 11801.

NetBackup 5230 Appliance

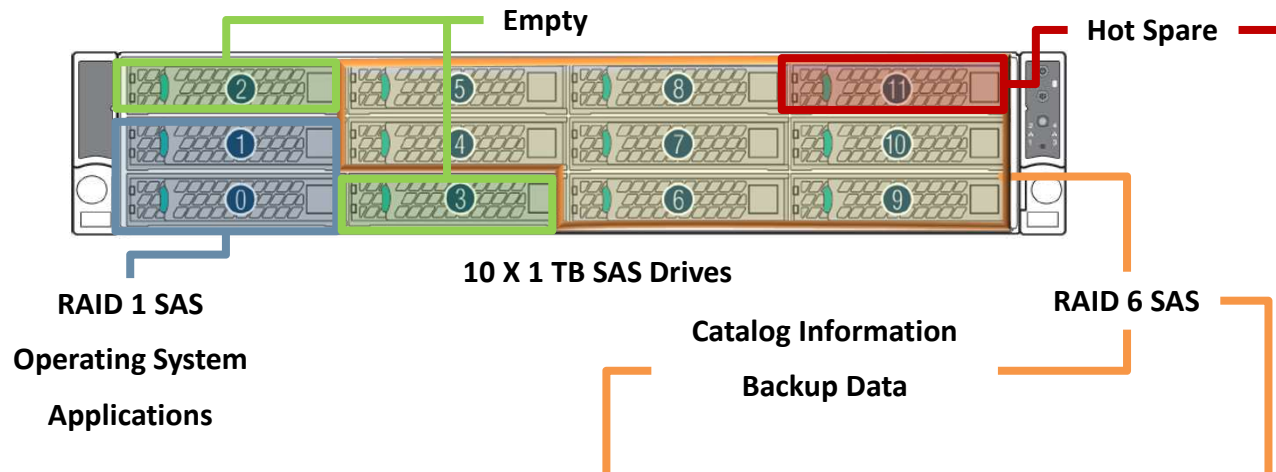
Quick Reference Card – Hardware



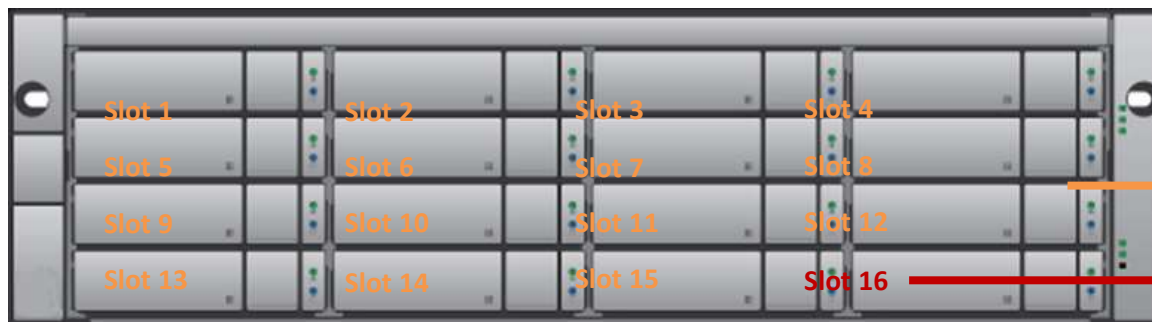
Veritas Support Services

Last Updated – 11.01.2019

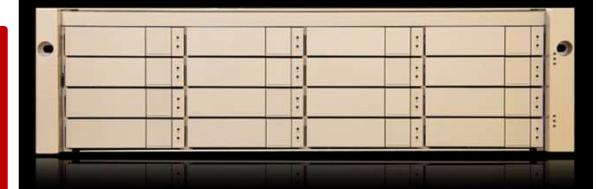
NetBackup 5230 Appliance Base Unit and External Storage Shelf



| Appliance Role | Storage Layout | | | Storage Capacity |
|----------------|--|--------|--------|---|
| Master | CAT | ADV * | MSDP * | 4TB or 14TB Base Unit Maximum of 4 External Storage Shelves with 2TB or 3TB Drives Maximum MSDP Storage = 144TB |
| Media | ADV * | MSDP * | | |
| * | Storage can be allocated for AdvancedDisk and / or Deduplication | | | |



Storage Shelf Specifications



- 19-inch, rack mount storage shelf
- Holds 16 2TB or 3TB 7,200 rpm SAS Disk Drives per Storage Shelf
- 12TB Maximum Advanced Disk Storage
- 4 Storage Shelves Maximum per 5230
- 144TB Maximum Storage
- 3U rack-mount disk shelf
- Maximum Power 580 Watts
- Maximum Cooling 1,980 BTU/hour
- 7 Amps at 100-127V or 3.5 Amps at 200-240V

Reference Information

Veritas SORT Landing Page:

<https://sort.veritas.com/land>

NetBackup 52XX and 53XX Appliance Product Guide Documentation:

<https://sort.veritas.com/documents>

NetBackup 5xxx Appliance Series Late Breaking News

https://www.veritas.com/support/en_US/article.TECH145136

NetBackup 5xxx Appliance Patches Page:

<http://www.veritas.com/docs/000011514>